

## COMPONENTRY

### **the bed frame consists of:**

- 1 x headboard
- 1 x footboard
- 2 x side rails

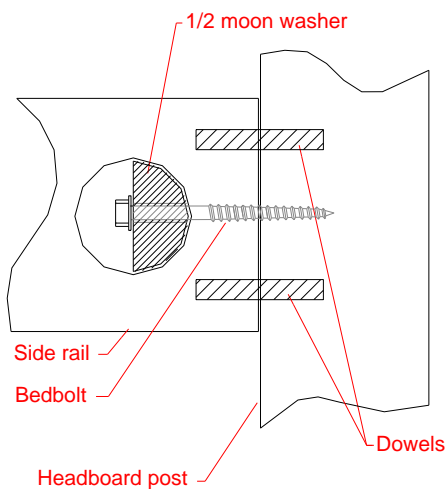
### **the bed frame hardware consists of:**

- 4 x bedbolts
- 4 x 1/2 moon washers
- 8 x wooden dowels
- 1 x spanner

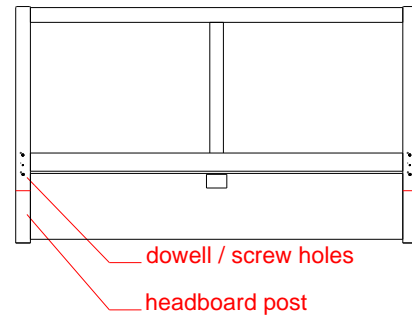
### **the flexislat bed kit consists of:**

- 1 x central rail
- 1 x set flexislats
- 1 x set shoes

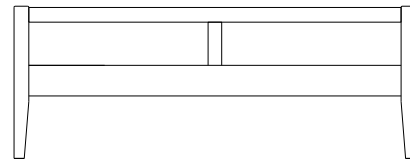
### **Diagram showing joint between siderail and headboard post**



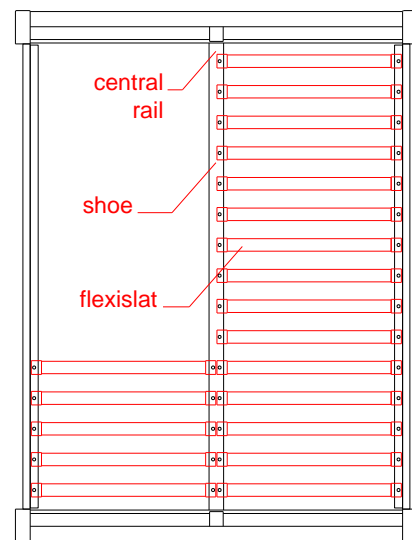
### **headboard (inside)**



### **footboard (outside)**



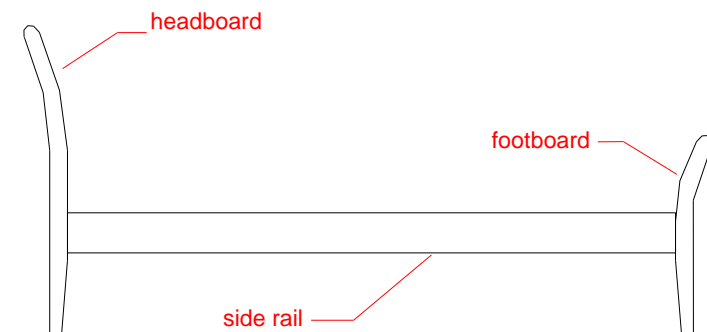
### **bed with flexislat base**



## TO ASSEMBLE THE BED FRAME

- on each post of the headboard there are 3 x holes; insert wooden dowels into the top & bottom holes
- fix bedbolts into the middle holes, leaving approximately 55-60mm of the shaft protruding from the post
- the side rail has 3 x holes that correspond to the holes in the headboard post; fit a rail end labelled 'HB' to the headboard post
- the 1/2 moon washers fit behind the back of the bedbolt, over its shaft; use the spanner to tighten these
- fit the other rail to the headboard & repeat the procedure to fix the rails to the footboard
- the metal clips on the ends of the centre rail drop into the corresponding metal fittings on the head and footboard. Note one end of the rail is marked "HB" for Headboard.
- fit the flexislat shoes to the central rail
- slide the flexislats into the shoes on the central rail
- slide the remaining shoes onto the outside ends of the flexislats
- fit the outside shoes into the corresponding holes on the bed side rail

*\*the mattress can now be placed on the bed*



## ASSEMBLY INSTRUCTIONS FOR BEDS WITHOUT DRAWERS

*\*note: all beds are pre-assembled*